

# NELSON®



## CONVENTIONAL Valves

Nelson 9500 conventional valve series offers models ideal for all residential and commercial applications. Features of these valves include a glass-filled nylon body with eight molded in brass studs, a stainless steel metering rod, high grade PVC bonnet, one piece fabric reinforced diaphragm and a fully encapsulated solenoid. All models are a globe/angle configuration with NPT or BSP in 1½" and 2" sizes, with a factory installed plug in the angle inlet. A simple valve design that's easy-to-use.

### **9515NC\*, 9515BC\*** 1½"

200 psi rated valve

- Flow range: 15-150 gpm
- Threading: NPT (9515NC); BSP (9515BC)
- Flow control: YES
- Size: 6¾"L x 5½"W x 8"H (with plug)
- 4 per box

### **9520NC\*, 9520BC\*** 2"

200 psi rated valve

- Flow range: 15-200 gpm
- Threading: NPT (9520NC); BSP (9520BC)
- Flow control: YES
- Size: 6¾"L x 5½"W x 8½"H
- 4 per box

\* **NC** = NPT Conventional

**BC** = BSP Conventional

1½", 2"

# CONVENTIONAL Valves

## Features

Manual internal bleed is easy to operate – just twist the solenoid

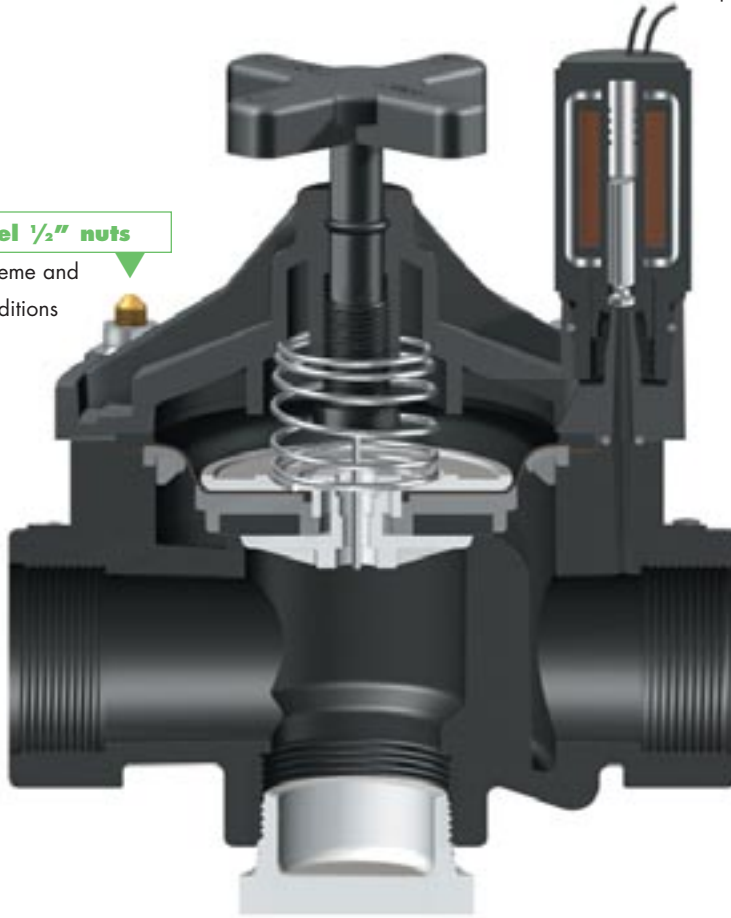
### 9500 series

Minimum pressure 15 PSI  
 Maximum pressure 200 PSI  
 Input 24 volts  
 Inrush current 0.50 amps  
 Holding current 0.23 amps

**Flow Control**, standard on all valves, allows adjustment of water flow when needed with a removable knob for additional protection against vandalism

**Eight stainless steel 1/2" nuts**

grip into bonnet for extreme and fluctuating climactic conditions



One-piece fully encapsulated

**glass filled nylon solenoid** with a stainless steel plunger. Plunger is captured with removable retainer for easy cleaning

Manual bleed by rotating solenoid approximately 3/4 of a turn counter clockwise

One piece fabric reinforced diaphragm for increased durability

200 psi rated valve for heavy-duty applications

**Glass-filled nylon body** with eight molded in brass studs, a stainless steel metering rod and high-grade PVC bonnet

Directly compatible with SoloRain™ series of battery-operated actuators

Five year warranty on materials and workmanship on the valve. Two year warranty on materials and workmanship on the solenoid

**PressureLoss (psi)**

Flow (GPM)	9515NC Globe 1 1/2"	9515NC Angle 1 1/2"	9520NC Globe 2"	9520NC Angle 2"
15	3.0	2.8	–	–
20	3.0	2.8	–	–
30	3.5	3.0	–	–
40	3.7	3.2	–	–
50	3.9	3.4	2.9	1.9
60	4.0	3.7	3.0	2.3
80	5.0	4.1	3.5	2.5
100	6.0	4.5	4.2	3.1
120	8.0	6.0	6.5	3.8
140	10.0	7.0	8.2	4.9
160	–	–	11.0	5.5
180	–	–	11.5	6.8
200	–	–	16.5	8.2

**PressureLoss (KPa)**

Flow (L/min)	9515BC Globe 1 1/2"	9515BC Angle 1 1/2"	9520BC Globe 2"	9520BC Angle 2"
56.7	20.7	19.3	–	–
75.7	20.7	19.3	–	–
113.5	24.2	20.7	–	–
151.4	25.5	22.0	–	–
189.3	26.9	23.5	20.1	13.1
227.1	27.6	25.5	20.7	15.8
302.8	34.5	28.3	24.2	17.2
378.5	41.4	31.1	28.9	21.3
454.2	55.2	41.4	44.9	26.2
529.9	69.0	48.3	56.6	33.8
605.6	–	–	75.9	37.9
681.3	–	–	79.3	46.9
757.0	–	–	113.8	56.5