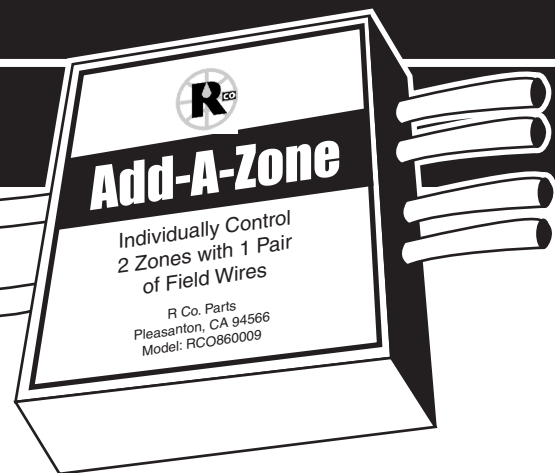


Add-A-Zone

Allows 2 independently timed zones to be operated with only 1 pair of field wires

Now power from 2 zones on a controller can be transmitted to valves in the field through only one pair of field wires. Introducing Add-A-Zone, the convenient unit that eliminates the need to add wiring when adding a zone. Use it to add additional valves to a system to correct water pressure problems. Or use it to work around faulty field wiring.

Unlike other "switching" units, the Add-A-Zone behaves just like the valves are fully independent. You set the individual run times for 2 zones on the controller just like you regularly would and Add-A-Zone works "behind the scenes" to make it happen. Maximum control and flexibility that installs in minutes.



Model: RCO860009

Technical Features:

- Both valves connected to an Add-A-Zone are independently timed and activated from the controller for both manual and automatic operation.
- The 2 valves can be assigned to separate watering schedules and programs in the controller.
- Permits easy addition of an additional valve to controllers with spare stations without the need to divide out a run time on a single zone or activate the new valve every other watering cycle.
- Makes adding a valve to correct water pressure problems easy.
- Broken wires can be abandoned and worked around without loss of programming flexibility.
- Fast and inexpensive to install.
- The added valve can be a master valve.

Installation Instructions:

Adapter Part A

(installs in controller cabinet)

1. Connect Brown wire to one station output.
2. Connect Red wire to existing common wire.
3. Connect Black wire to the good field wire.

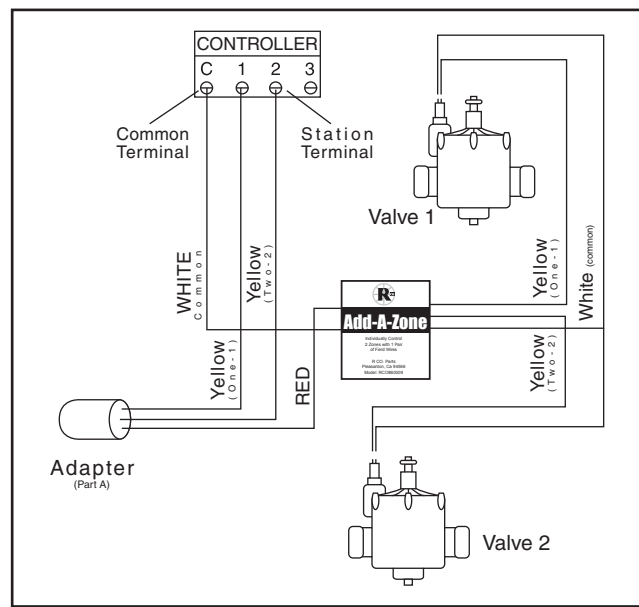
Adapter Part B

(bury in ground where convenient)

1. Connect Black wire to existing zone wire.
2. Connect White wire to existing common wire.
3. Connect Red and White wire to the first control valve.
4. Connect Brown and White wire to the second control valve.

Electrical Specifications:

- Operates on most 24-Volt sprinler systems
- Switching capacity: 0.5 A
- Life Expectancy: 50,000 operations



R Co. Parts

1064 Serpentine Lane - Pleasanton, CA 94566 - Ph: (925) 484-0382 - Fax: (925) 484-0158